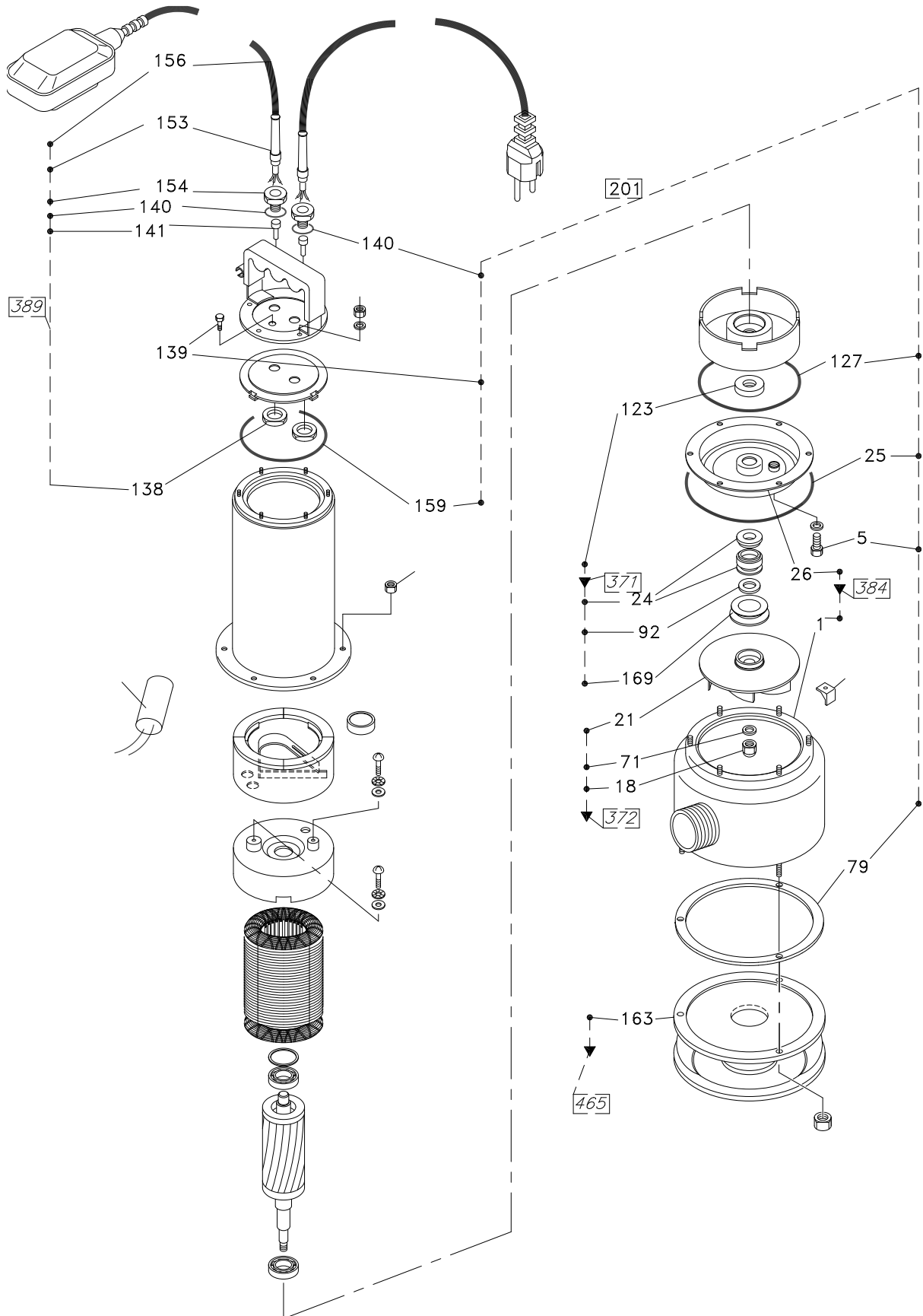


Biox 310/10 Model



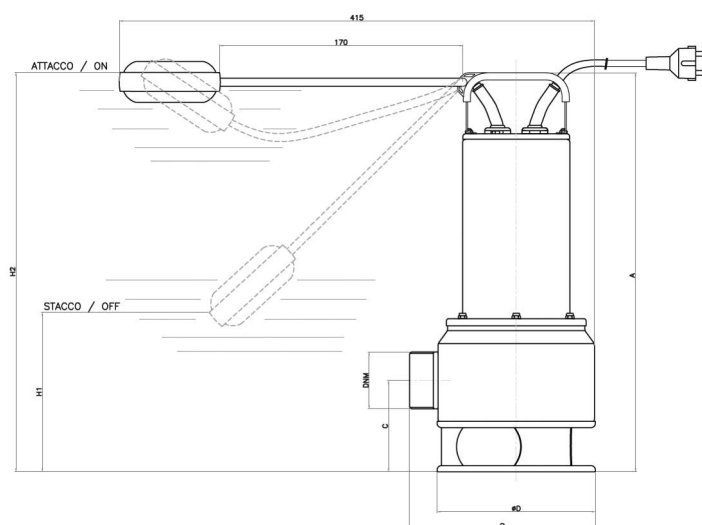
Drawings are indicative only, product appearance may change slightly.

# PARTS LIST TABLE

Model	BIOX 300/10
Part number	P2091010

KIT NO.	KIT REFERENCE NO.	REF NO.	COMPONENT DESCRIPTION	BIOX 300/10	
201	GASKET KIT	79	GASKET (PUMP BODY)	ZBR36770	1PC
		5	PLUG (FILL)		1PC
		25	O-RING (PUMP BODY)		1PC
		127	O-RING (LOWER BEARING FLANGE)		1PC
		140	O-RING (CORDING CLAMP)		1PC
		139	SCREW (INSPECTION)		2PC
		159	O-RING (COVER)		1PC
371	MECHANICAL SEAL KIT	24	SEAL (COMPLETE MECHANICAL)	ZBR20470	1PC
		123	RING (SEAL)		1PC
		92	WASHER		1PC
		169	SAND PROTECTION		1PC
372	HYDRAULIC KIT	18	NUT (SELF-LOCKING)	ZBR20600	1PC
		21	IMPELLER		1PC
		71	WASHER		1PC
389	FLOAT SWITCH	138	NUT (CORDING CLAMP LOCKING)	ZBR20450	1PC
		140	O-RING (CORDING CLAMP)		2PC
		153	GROMMET (CABLE 9MM DIA)		1PC
		154	CORDING CLAMP		1PC
		141	CONNECTOR 2.5SQMM		2PC
		156	FLOAT SWITCH		1PC
455	KIT BASE	163	BASE	ZBR25590	1PC

## Dimensions



**Rainbow Pool Products**

PO Box 2388, Mansfield Qld 4122

Telephone STD 61-7-3849 5385

Facsimile STD 61-7-3849 5384

Email: [info@rainbowpoolproducts.com.au](mailto:info@rainbowpoolproducts.com.au)

Web: [www.rainbowpoolproducts.com.au](http://www.rainbowpoolproducts.com.au)

